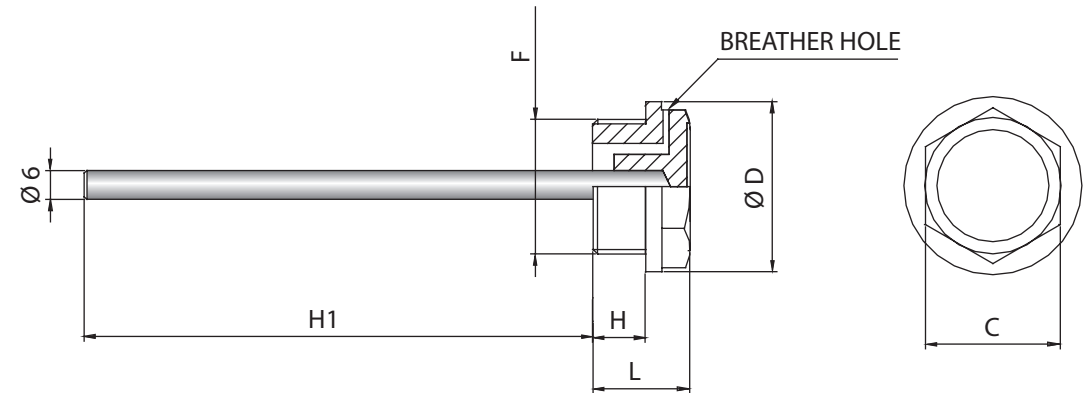


# TMA - TMAS

METAL CAPS WITH LEVEL ROD AND  
POSSIBILITY OF BREATHER



- Made with milled hexagonal head and crown in light aluminium alloy.
- Seal ensured by a gasket with oilproof plain washer.
- In the TMAS range the breather consists of just a 2mm hole.
- Chromed zinc steel level rod.
- Normally supplied with the word OIL.
- Suppliable on request with circular channels for identifying the minimum or maximum level.
- Suppliable with materials and threads to design, for adequate quantities.

GAS TYPE		F	C	D	H	L	H1
TMA 1/8" GAS	TMAS 1/8" GAS	1/8" GAS	14	16	8	14	-
TMA 1/4" GAS	TMAS 1/4" GAS	1/4" GAS	17	20	9	16	196,5
TMA 3/8" GAS	TMAS 3/8" GAS	3/8" GAS	18	22	9	17	196
TMA 1/2" GAS	TMAS 1/2" GAS	1/2" GAS	22	28	9	17	196
TMA 3/4" GAS	TMAS 3/4" GAS	3/4" GAS	27	35	10	19	195
TMA 1" GAS	TMAS 1" GAS	1" GAS	34	42	12,5	23,5	200
METRIC TYPE		F	C	D	H	L	H1
TMA - M 10x1	TMAS - M 10x1	M 10x 1	14	16	8	14	-
TMA - M 14x1,5	TMAS - M 14x1,5	M 14x1,5	17	20	9	16	196,5
TMA - M 16x1,5	TMAS - M 16x1,5	M 16x1,5	18	22	9	17	196
TMA - M 18x1,5	TMAS - M 18x1,5	M 18x1,5	20	26	9	17	196
TMA - M 20x1,5	TMAS - M 20x1,5	M 20x1,5	22	28	9	17	196
TMA - M 22x1,5	TMAS - M 22x1,5	M 22x1,5	22	28	9	17	196