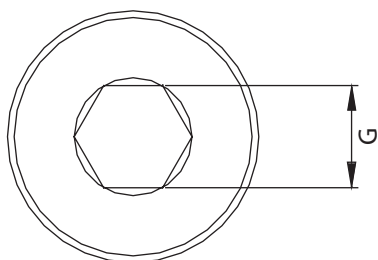
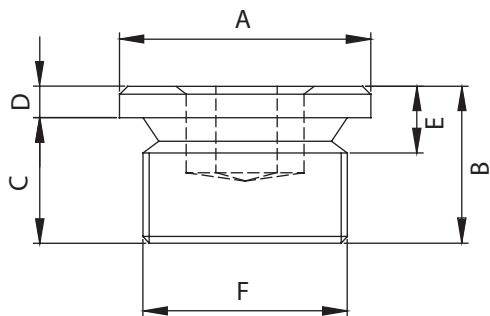


# TEI

## HEX. SOCKET HEAD PLUGS



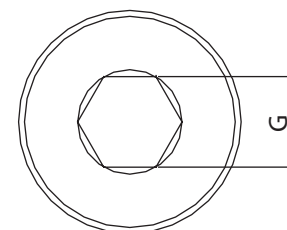
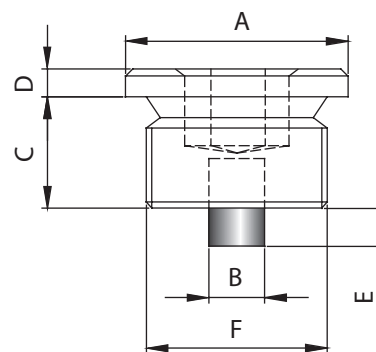
The hexagon socket head plug is useful when good tightening torque is required while avoiding protrusions.

- Body in aluminium alloy D11S.
- Oilproof gasket.

GAS TYPE	F	A	B	C	D	E	G
TEI 1/8"	1/8" GAS	14	11	8	3	5	5
TEI 1/4"	1/4" GAS	18	12	9	3	6	6
TEI 3/8"	3/8" GAS	22	15	12	3	6,5	8
TEI 1/2"	1/2" GAS	26	18	14	4	7,5	10
TEI 3/4"	3/4" GAS	32	20	16	4	8	12
TEI 1"	1" GAS	40	21	16	5	9	17

# TMEI

## HEX. SOCKET HEAD MAGNETIC PLUGS



Magnetic plugs equipped with permanent magnets, in alloy Al-Ni-Co 5, with wide range of action, able to catch metal particles in the oil.

- MAGNET Al-Ni-Co 5
- Body in aluminium alloy D11S (in steel and brass on request).
- Oilproof gasket.

GAS TYPE	F	A	B	C	D	E	G
TMEI 1/8"	1/8" GAS	14	5	11	3	5	5
TMEI 1/4"	1/4" GAS	18	5	12	3	6	7
TMEI 3/8"	3/8" GAS	22	5	12	3	6	8
TMEI 1/2"	1/2" GAS	26	8	14	4	6	10
TMEI 3/4"	3/4" GAS	32	8	16	4	6	12
TMEI 1"	1" GAS	40	8	16	5	8	17