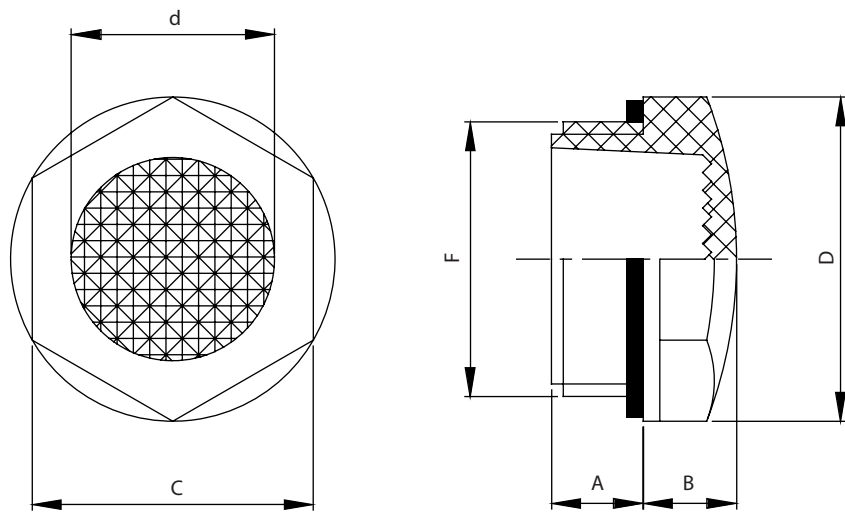


LMA-PR

PLASTIC PRISMATIC PLUG VISUAL LEVEL INDICATOR



- Body material: Transparent polyamide based (PA-T) technopolymer.

Resistant to solvents, oils with additives, greases, acids and alkali. Avoid contact with alcohol or detergents containing alcohol.

The window consist of a continuous series of prisms which provide a clear and immediate reading of the level of the oil contained in the reservoir.

Flat packing ring: NBR synthetic rubber.

- Highest temperature of exercise in continue: 100 °C

GAS TYPE	F	TIGHTENING TORQUE (Max Value) - Nm	A	B	D	d	C
LMA - PR 1/4"	1/4" GAS	3	10	6	18	9	15
LMA - PR 3/8"	3/8" GAS	5	7,5	7	22	11	19
LMA - PR 1/2"	1/2" GAS	6	10,5	8	26	14	22
LMA - PR 3/4"	3/4" GAS	8	10,5	9	31,5	20	27
LMA - PR 1"	1" GAS	10	11	10	40	25	34