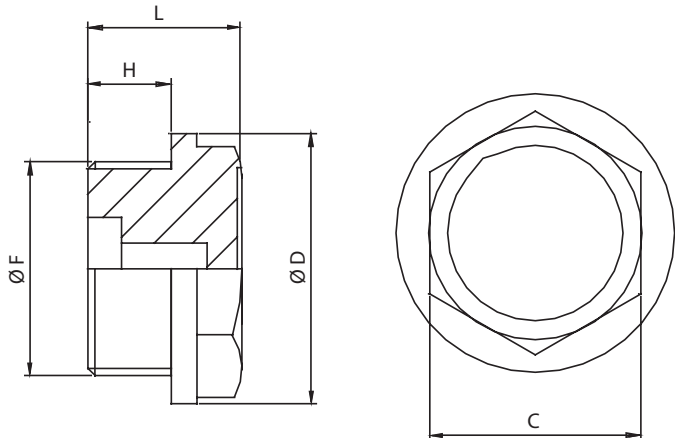


METAL PLUGS

- Made with milled hexagonal head and crown in light aluminium alloy.
- Seal ensured by a gasket with oilproof plain washer.
- For adequate quantities they can be supplied with special threads and with materials on request, or to customer design.
- They are normally supplied with label bearing the word OIL.



METAL PLUGS WITH BREATHER

- Made with milled hexagonal head and crown in light aluminium alloy.
- Seal ensured by a gasket with oilproof plain washer.
- In the TMS range, the breather consists of a 2mm hole, which maintains the atmospheric pressure inside the tank.
- For adequate quantities they can be supplied with special threads and with materials on request, or to consumer design.
- They are normally supplied with label bearing the word OIL.

GAS TYPE	MATERIAL	SEAL	HOLE	F	C	H	L	D
TM 1/8" GAS	ALLUMINIUM	FLEXOID™	NO	1/8" GAS	14	8	14	16
TM 1/4" GAS				1/4" GAS	17	9	16	20
TM 3/8" GAS				3/8" GAS	18	9	17	22
TM 1/2" GAS				1/2" GAS	22	9	17	28
TM 3/4" GAS				3/4" GAS	27	10	19	35
TM 1" GAS				1" GAS	34	12,5	23,5	42
TMS 1/8" GAS	ALLUMINIUM	FLEXOID™	SI	1/8" GAS	14	8	14	16
TMS 1/4" GAS				1/4" GAS	17	9	16	20
TMS 3/8" GAS				3/8" GAS	18	9	17	22
TMS 1/2" GAS				1/2" GAS	22	9	17	28
TMS 3/4" GAS				3/4" GAS	27	10	19	35
TMS 1" GAS				1" GAS	34	12,5	23,5	42
METRIC TYPE	MATERIAL	SEAL	HOLE	F	C	H	L	D
TM - M 10x1	ALLUMINIUM	FLEXOID™	NO	M 10x 1	14	8	14	16
TM - M 14x1,5				M 14x1,5	17	9	16	20
TM - M 16x1,5				M 16x1,5	18	9	17	22
TM - M 18x1,5				M 18x1,5	20	9	17	26
TM - M 20x1,5				M 20x1,5	22	9	17	28
TM - M 22x1,5				M 22x1,5	22	9	17	28
TMS - M 10x1	ALLUMINIUM	FLEXOID™	SI	M 10x 1	14	8	14	16
TMS - M 14x1,5				M 14x1,5	17	9	16	20
TMS - M 16x1,5				M 16x1,5	18	9	17	22
TMS - M 18x1,5				M 18x1,5	20	9	17	26
TMS - M 20x1,5				M 20x1,5	22	9	17	28
TMS - M 22x1,5				M 22x1,5	22	9	17	28